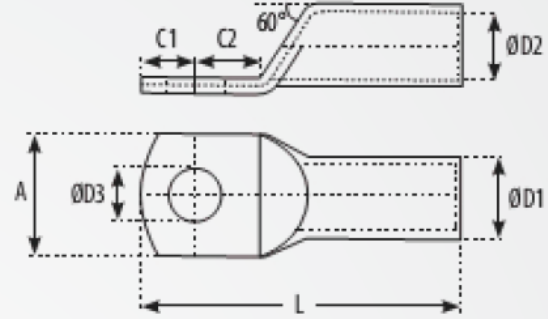




Electrolytic Copper - 99,9  
Coefficient Conductivity min. 56 ms/m



Product Code	Cable Section	Bolt	ØD3	ØD2	ØD1	L	A	C1	C2	Box Quantity	Jnit /USD
TSKP-10-05	10 mm <sup>2</sup>	M5	5.2	5	6.5	27.5	10.5	5.5	6.5	800	
TSKP-10-06		M6	6.5	5	6.5	27.5	10.5	5.5	6.5		
TSKP-16-06	16 mm <sup>2</sup>	M6	6.5	5.8	7.8	30	12	5.5	6.5	500	
TSKP-16-08		M8	8.5	5.8	7.8	30	12	5.5	6.5		
TSKP-25-08	25 mm <sup>2</sup>	M8	8.5	7.2	9.5	40	14	7	9	350	
TSKP-25-10		M10	10.5	7.2	9.5	40	14	7	9		
TSKP-35-08	35 mm <sup>2</sup>	M8	8.5	8.5	11	44	15.3	8.5	9.5	200	
TSKP-35-10		M10	10.5	8.5	11	44	15.3	8.5	9.5		
TSKP-50-10	50 mm <sup>2</sup>	M10	10.5	10	13	52	20	10	11.5	150	
TSKP-50-12		M12	13	10	13	52	20	10	11.5		
TSKP-70-10	70 mm <sup>2</sup>	M10	10.5	11.5	14.7	55	22	10	11.5	100	
TSKP-70-12		M12	13	11.5	14.7	55	22	10	11.5		
TSKP-95-10	95 mm <sup>2</sup>	M10	10.5	13.5	16.7	59	26	10	12	90	
TSKP-95-12		M12	13	13.5	16.7	59	26	10	12		
TSKP-120-10	120 mm <sup>2</sup>	M10	10.5	15.6	19	70	29	13	14	80	
TSKP-120-12		M12	13	15.6	19	70	29	13	14		
TSKP-150-10	150 mm <sup>2</sup>	M10	10.5	17	21	77	32	17	17	40	
TSKP-150-12		M12	13	17	21	77	32	17	17		
TSKP-185-12	185 mm <sup>2</sup>	M10	13	19	23	85	35	17	18	40	
TSKP-185-16		M16	17	19	23	85	35	17	18		
TSKP-240-12	240 mm <sup>2</sup>	M12	13	21	26	90	38.5	17	18	30	
TSKP-240-16		M16	17	21	26	90	38.5	17	18		
TSKP-300-12	300 mm <sup>2</sup>	M12	13	23.5	28.6	100	43	18	18	25	
TSKP-300-16		M16	17	23.5	28.6	100	43	18	18		