

AC AXIAL FAN
80x80x25mm



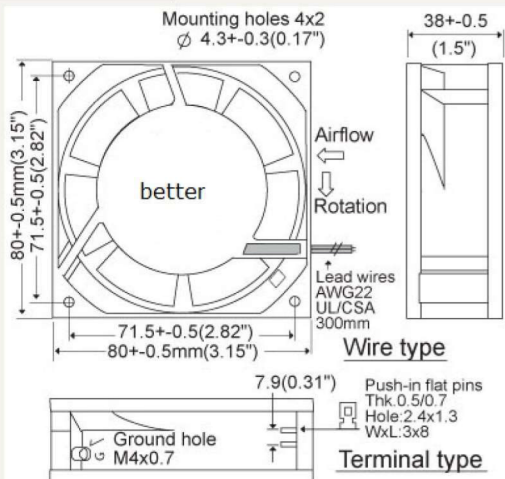
General Specification

1. IMPELLER	PBT THERMOPLASTIC BLACK UL 94 VO
2. FRAME	ALUMINUM ALLOY
3. MOTOR	SHADED POLE INDUCTION MOTOR
4. OPERATION TEMPERATURE	-10C # +65C
5. SAFETY	CE>UL>CUL>TUV
6. WEIGHT	225 g
7. PROTECTION	IMPEDANCE PROTECTED
8. CONNECTING	WIRE LEADES & TERMINAL
9. LEAD WIRE	AWG # 22 UL 1007 (OPTİNAL)
10. ROHS COMPLIANCE	YES
11. EXPECTED LIFE	60C 50.000 HOURS

Specification

MODEL	RULMAN BİLYE SİSTEMİ	VOLTAJ	FREKANS	AKIM	GÜÇ	DEVİR	GÜRÜLTÜ SEVİYESİ	HAVA DEBİSİ	
	BEARING SYSTEM	VOLTAGE V	FREQ HZ	CURRENT A	POWER W	SPEED RPM	NOİSE dBA	AIR FLOW	
								M3/Hr	CFM
FZY8025HA1SL	SLEEVE	110/125	50/60	0,14	14	2400/2900	27/30	39/48	23/28
FZY8025HA2SL	SLEEVE	220/240	50/60	0,07	14	2400/2900	27/30	39/48	23/28
FZY8025HA1BL	BALL	110/125	50/60	0,14	14	2400/2900	27/30	39/48	23/28
FZY8025HA2BL	BALL	220/240	50/60	0,07	14	2400/2900	27/30	39/48	23/28

Dimension



Air performance

